

HARMANTM
BUILT TO A STANDARD, NOT A PRICE

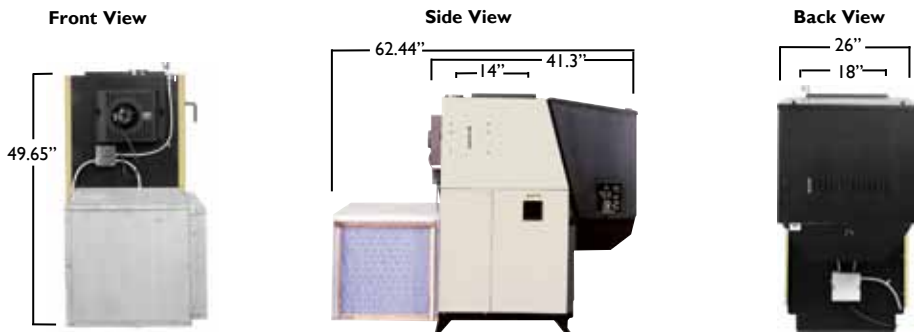
PF100 PELLET FURNACE



SPECIFICATIONS

PF100 PELLET PRO FURNACE	BTU Range	Heating Capacity†	Hopper Capacity	Fuel Type	Blower Size	Flue Size	Outside Air Size	Fuse Rating	Ship Weight
	0 - 112,000	2,500+ sq. ft.	160 lbs.	Bio-Mass Pellets	1,000 cfm	4" pellet vent	2-3/4"	10 amp	450 lbs.

CLEARANCES AND DIMENSIONS



SIDE	CLEARANCE TO COMBUSTIBLES
Rear (Hopper end)	1"
Side (Ash pan side)	12"
Front (Blower end)	1"

PF100 Pellet Pro Furnace

The Harman PF100 Pellet Pro Furnace takes pellet fuel heating to its optimum level, operating automatically to provide warm, comfortable temperatures throughout your home. Simply fill the hopper with pellets, determine your ideal temperature by setting the wall mounted control, and the PF100 will do the rest. If heat is required, the fire will automatically light and burn at the proper rate to maintain a consistent heat. If heating demand is reduced, the Harman PF100 will reduce the fire, and if no heat is required, the fire will go out and light again automatically when additional heat is needed.

When the fuel in the hopper reaches a low level a red indication light on the wall mounted control will blink, instructing you to add fuel to the hopper. The PF100's sizeable ash pan allows two to three tons of pellets to be burned before emptying is required.

Along with the patented Harman feeder and burn pot, even high ash pellets can be efficiently burned. The PF100 can be installed as a stand alone hot air heating system or incorporated into existing hot air systems. A chimney is not required for venting as this direct vent system utilizes outside air for combustion. This combustion blower can be easily removed for annual cleaning.



The frequency of ash removal is greatly reduced due to this extra large ash pan.



A shaker handle is used to clean the heat exchanger tubes. This is easy to do and is normally done when the hopper is filled.

Features

- Automatic Pressure Ignition
- Total Automatic Operation
- Patented Pellet Pro Feeder
- Patented Pellet Pro Burn Pot
- Dual Heat Exchangers
- 160 Pound Hopper
- Large Ash Door
- Extra Large Ash Pan
- Fire Viewing Glass
- Direct Vent
- Easy Cleaning
- Wall Mounted Control

Dual Heat Exchangers

Dual heat exchangers are used to extract maximum heat from the fuel which will save you money.

Tube Heat Exchangers

Accordion Heat Exchangers



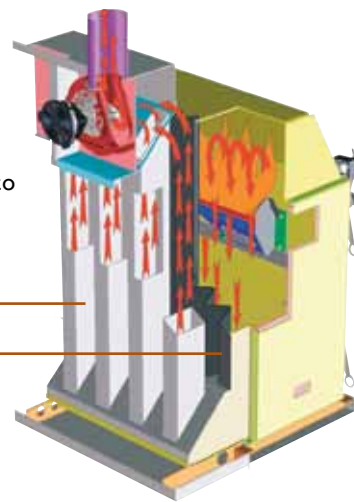
The wall mounted temperature control allows you to set your desired temperature. The PF100 will do the rest.

Required Blower Choices:

- 1000 cfm 3 Speed Blower
- 1450 cfm Single Speed Blower
- 1638 cfm 4 Speed Blower

Options

- Outside Air



YOUR HARMAN DEALER IS:

HARMANTM
BUILT TO A STANDARD, NOT A PRICE

352 MOUNTAIN HOUSE ROAD
HALIFAX, PA 17032
WWW.HARMANSTOVES.COM

A BRAND OF
HEARTH & HOME TECHNOLOGIES®

HAR-1502U-0311

Limited Lifetime Warranty*

The strongest in the industry, Harman provides a limited lifetime warranty on most important aspects: firebox and heat exchanger.

Actual product appearance, including flame, may differ from image. Tested to: CAN/CSA B366.10-M91, UL 391, ASTM E 1509-95, ULC C1482-M1990. Product specifications and pricing subject to change without notice. The images and descriptions in this brochure are provided to assist you in product selection only. †Heating capacity is a guideline only and may differ slightly due to climate, building construction and condition, amount and quality of insulation, location of the heater and air movement in the room. Refer to installation manual for complete clearance requirements and specifications. *For full warranty details, visit www.harmanstoves.com